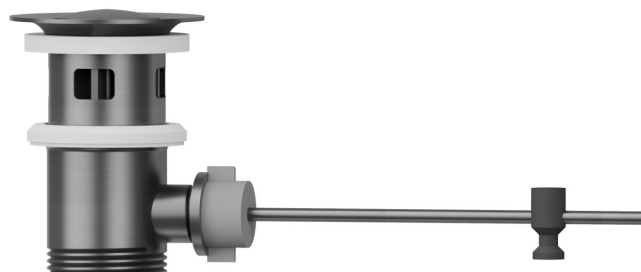


## 220.59.064

Scarico con troppopieno, a salterello, in ottone da 1"1/4 -  
finitura PVD Brushed Gun Metal



PVD Brushed Gun Metal



### CARATTERISTICHE

---

Materiale

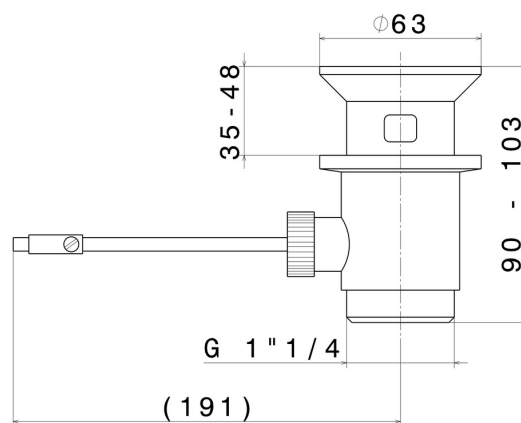
**Ottone**

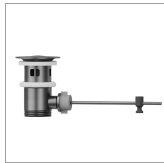
Scarico

**Con scarico**

### DISEGNO TECNICO

---





**220.59.064**

Scarico con troppopieno, a salterello, in ottone da 1"1/4 - finitura PVD Brushed Gun Metal

## FINITURE DISPONIBILI

---



**59.064**

PVD Brushed Gun Metal



**01.014**

finitura Bianco opaco



**01.093**

finitura Nero opaco



**21.018**

finitura Cromo



**47.083**

finitura Groove Bronze



**58.061**

finitura PVD Copper Bronze



**58.063**

finitura PVD Gun Metal



**59.066**

finitura PVD Acciaio Spazzolato



**59.097**

finitura PVD Brushed Gold



**59.098**

finitura PVD Brushed Pale Gold



**61.020**

finitura PVD Glossy Gold



**M7.070**

finitura Titanium Satin + Chrome



**M7.071**

finitura Gold Satin + Chrome



**M7.072**

finitura Copper Satin + Chrome



**M7.075**

finitura Copper Glossy + Chrome



**M7.077**

finitura Carbon Satin+ Chrome