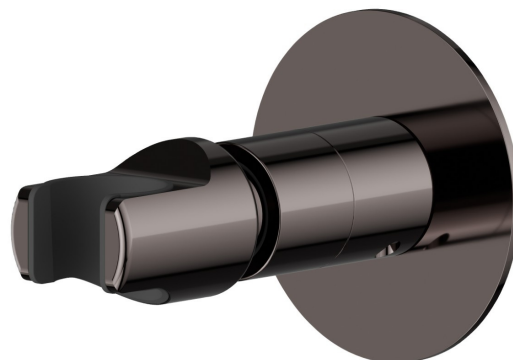


## 846.58.063

Supporto orientabile in ottone per doccia. Ø70. - finitura  
PVD Gun Metal



### CARATTERISTICHE

---

Materiale

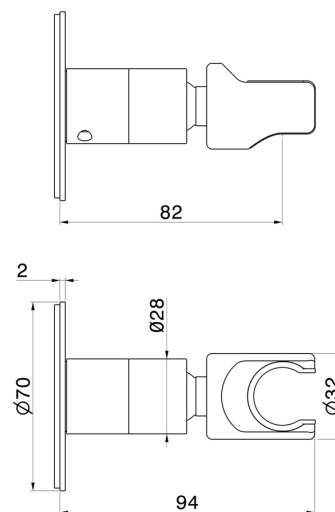
**Ottone**

Installazione

**A parete**

### DISEGNO TECNICO

---





**846.58.063**

Supporto orientabile in ottone per doccia. Ø70. - finitura PVD Gun Metal

## FINITURE DISPONIBILI

---



**58.063**

PVD Gun Metal



**01.014**

finitura Bianco opaco



**01.093**

finitura Nero opaco



**21.018**

finitura Cromo



**58.061**

finitura PVD Copper Bronze



**59.064**

finitura PVD Brushed Gun Metal



**59.067**

finitura PVD Brushed Copper Bronze



**59.097**

finitura PVD Brushed Gold



**61.020**

finitura PVD Glossy Gold