

DELTA ZERO

72291.58.061

Bec de baignoire sur plan - finition PVD Copper Bronze



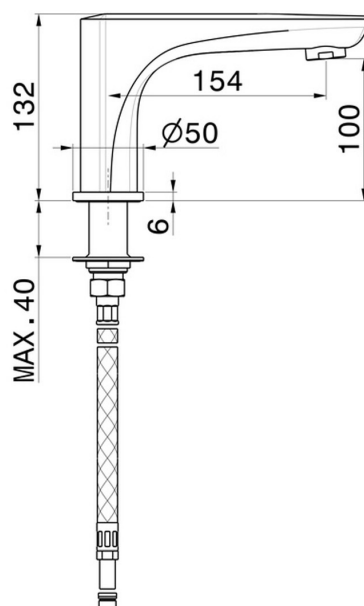
PVD Copper Bronze



CARACTÉRISTIQUES

Matériau	Laiton
Technologie	Save Water
Installation	À poser

DESSIN TECHNIQUE





DELTA ZERO

72291.58.061

Bec de baignoire sur plan - finition PVD Copper Bronze

FINITIONS DISPONIBLES



58.061

PVD Copper Bronze



01.014

finition Matt White



01.093

finition Matt Black



21.018

finition Chrome



58.063

finition PVD Gun Metal



59.064

finition PVD Brushed Gun Metal



59.067

finition PVD Brushed Copper Bronze



59.097

finition PVD Brushed Gold



61.020

finition PVD Glossy Gold