

DELTA ZERO

72291.59.067

Bec de baignoire sur plan - finition PVD Brushed Copper Bronze



PVD Brushed Copper Bronze



CARACTÉRISTIQUES

Matériau

Laiton

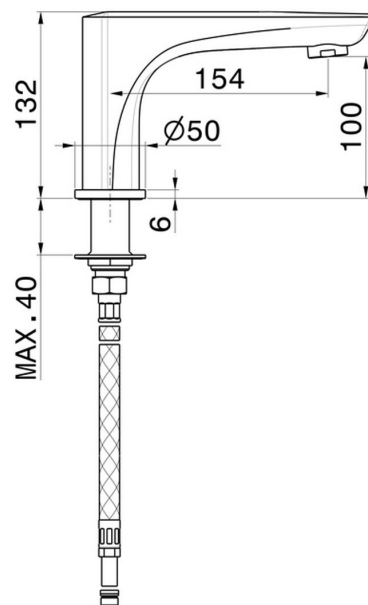
Technologie

Save Water

Installation

À poser

DESSIN TECHNIQUE





DELTA ZERO

72291.59.067

Bec de baignoire sur plan - finition PVD Brushed Copper Bronze

FINITIONS DISPONIBLES



59.067

PVD Brushed Copper Bronze



01.014

finition Matt White



01.093

finition Matt Black



21.018

finition Chrome



58.061

finition PVD Copper Bronze



58.063

finition PVD Gun Metal



59.064

finition PVD Brushed Gun Metal



59.097

finition PVD Brushed Gold



61.020

finition PVD Glossy Gold