

SENSITIVE

26474.59.064

Bec de robinet à coupler avec commande infra-rouge - finition PVD Brushed Gun Metal



SAVE WATER



PVD Brushed Gun Metal



CARACTÉRISTIQUES

Matériau

Laiton

Technologie

Save Water

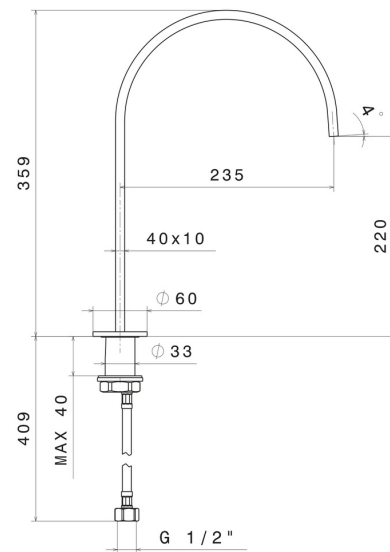
Installation

À poser

Type de perçage

Monotrou

DESSIN TECHNIQUE





SENSITIVE

26474.59.064

Bec de robinet à coupler avec commande infra-rouge - finition PVD Brushed Gun Metal

FINITIONS DISPONIBLES



59.064

PVD Brushed Gun Metal



01.014

finition Matt White



01.093

finition Matt Black



21.018

finition Chrome



47.083

finition Groove Bronze



58.061

finition PVD Copper Bronze



58.063

finition PVD Gun Metal



59.066

finition PVD Brushed steel



59.067

finition PVD Brushed Copper Bronze



59.097

finition PVD Brushed Gold



59.098

finition PVD Brushed Pale Gold



61.020

finition PVD Glossy Gold

 **MO.070**
finition Titanium Satin

 **MO.071**
finition Gold Satin

 **MO.072**
finition Copper Satin

 **MO.075**
finition Copper Glossy

 **MO.077**
finition Carbon Satin