

X-STEEL 316

69639X.59.067

Bec lavabo indépendant sur plan - finition PVD Brushed Copper Bronze

Sans vidage



SAVE
WATER



PVD Brushed Copper Bronze



CARACTÉRISTIQUES

Matériau

Acier inox

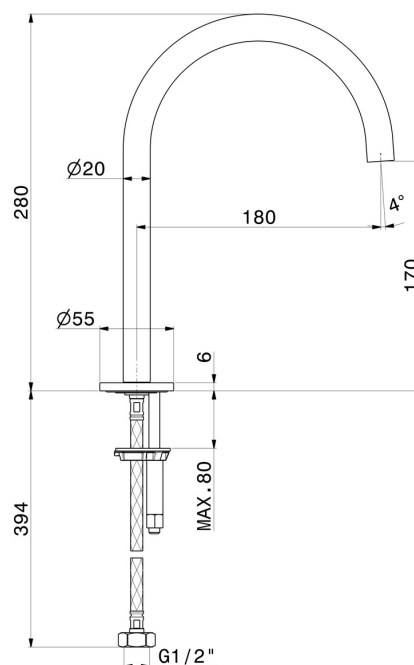
Technologie

Save Water

Installation

À poser

DESSIN TECHNIQUE





X-STEEL 316

69639X.59.067

Bec lavabo indépendant sur plan - finition PVD Brushed Copper Bronze

FINITIONS DISPONIBLES



59.067

PVD Brushed Copper Bronze



50.050

finition Stainless Steel



59.064

finition PVD Brushed Gun Metal



59.097

finition PVD Brushed Gold



59.098

finition PVD Brushed Pale Gold