

X-STEEL 316

69639X.59.098

Bec lavabo indépendant sur plan - finition PVD Brushed Pale Gold

Sans vidage



SAVE
WATER



PVD Brushed Pale Gold



CARACTÉRISTIQUES

Matériau

Acier inox

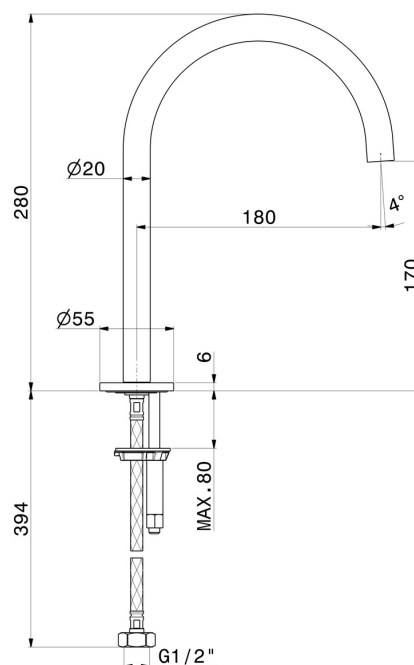
Technologie

Save Water

Installation

À poser

DESSIN TECHNIQUE





X-STEEL 316

69639X.59.098

Bec lavabo indépendant sur plan - finition PVD Brushed Pale Gold

FINITIONS DISPONIBLES



59.098

PVD Brushed Pale Gold



50.050

finition Stainless Steel



59.064

finition PVD Brushed Gun Metal



59.067

finition PVD Brushed Copper Bronze



59.097

finition PVD Brushed Gold