

230.M0.075

Bonde d'évacuation 1"1/4 évacuation "clac-clac" et trop plein -
finition Copper Glossy



CARACTÉRISTIQUES

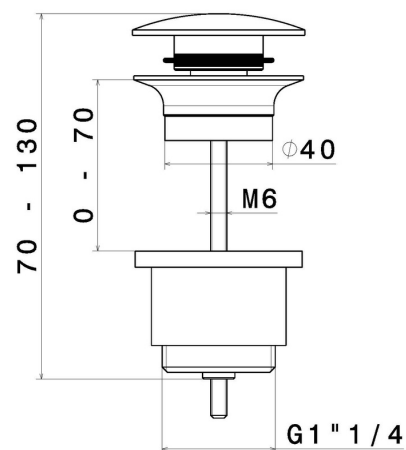
Matériau

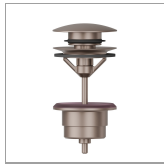
Laiton

Vidage

Bonde clic/clac

DESSIN TECHNIQUE





230.M0.075

Bonde d'évacuation 1"1/4 évacuation "clic-clac" et trop plein - finition Copper Glossy

FINITIONS DISPONIBLES



M0.075

Copper Glossy



01.014

finition Matt White



01.093

finition Matt Black



21.018

finition Chrome



47.083

finition Groove Bronze



58.061

finition PVD Copper Bronze



58.063

finition PVD Gun Metal



59.064

finition PVD Brushed Gun Metal



59.066

finition PVD Brushed steel



59.067

finition PVD Brushed Copper Bronze



59.097

finition PVD Brushed Gold



59.098

finition PVD Brushed Pale Gold

 **61.020**
finition PVD Glossy Gold

 **M0.070**
finition Titanium Satin

 **M0.071**
finition Gold Satin

 **M0.072**
finition Copper Satin

 **M0.077**
finition Carbon Satin