

## 232.21.018

Bonde d'évacuation 1"1/4 évacuation "clac-clac" et trop-plein -  
 finition Chrome



### CARACTÉRISTIQUES

---

Matériau

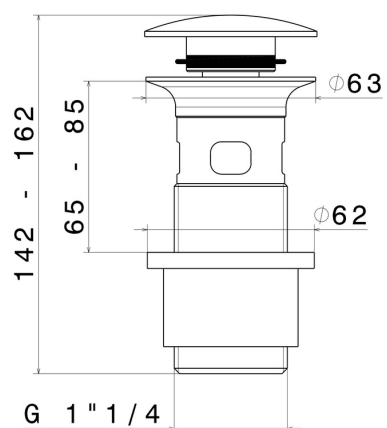
Laiton

Vidage

Bonde clic/clac

### DESSIN TECHNIQUE

---





**232.21.018**

Bonde d'évacuation 1"1/4 évacuation "clic-clac" et trop-plein - finition Chrome

## FINITIONS DISPONIBLES

---



**21.018**

Chrome



**01.014**

finition Matt White



**01.093**

finition Matt Black



**47.083**

finition Groove Bronze



**58.061**

finition PVD Copper Bronze



**58.063**

finition PVD Gun Metal



**59.064**

finition PVD Brushed Gun Metal



**59.066**

finition PVD Brushed steel



**59.067**

finition PVD Brushed Copper Bronze



**59.097**

finition PVD Brushed Gold



**59.098**

finition PVD Brushed Pale Gold



**61.020**

finition PVD Glossy Gold

 **MO.070**  
finition Titanium Satin

 **MO.071**  
finition Gold Satin

 **MO.072**  
finition Copper Satin

 **MO.075**  
finition Copper Glossy

 **MO.077**  
finition Carbon Satin