

## 232.58.063

Bonde d'évacuation 1"1/4 évacuation "clac-clac" et trop-plein -  
finition PVD Gun Metal



### CARACTÉRISTIQUES

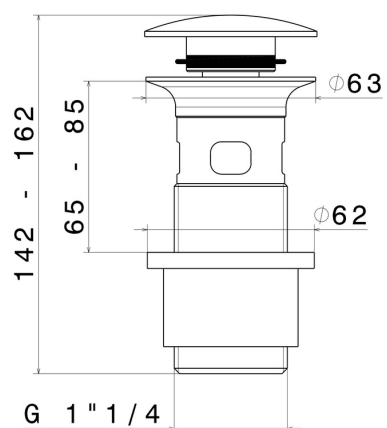
Matériau

Laiton

Vidage

Bonde clic/clac

### DESSIN TECHNIQUE





**232.58.063**

Bonde d'évacuation 1"1/4 évacuation "clac-clac" et trop-plein - finition PVD Gun Metal

## FINITIONS DISPONIBLES

---



**58.063**

PVD Gun Metal



**01.014**

finition Matt White



**01.093**

finition Matt Black



**21.018**

finition Chrome



**47.083**

finition Groove Bronze



**58.061**

finition PVD Copper Bronze



**59.064**

finition PVD Brushed Gun Metal



**59.066**

finition PVD Brushed steel



**59.067**

finition PVD Brushed Copper Bronze



**59.097**

finition PVD Brushed Gold



**59.098**

finition PVD Brushed Pale Gold



**61.020**

finition PVD Glossy Gold



**MO.070**

finition Titanium Satin



**MO.071**

finition Gold Satin



**MO.072**

finition Copper Satin



**MO.075**

finition Copper Glossy



**MO.077**

finition Carbon Satin