

## 232.M0.071

Bonde d'évacuation 1"1/4 évacuation "clac-clac" et trop-plein -  
 finition Gold Satin



### CARACTÉRISTIQUES

---

Matériau

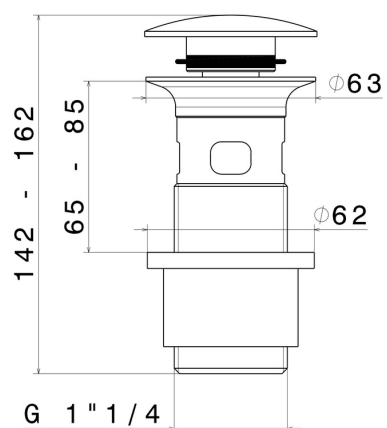
Laiton

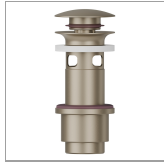
Vidage

Bonde clic/clac

### DESSIN TECHNIQUE

---





**232.M0.071**

Bonde d'évacuation 1"1/4 évacuation "clic-clac" et trop-plein - finition Gold Satin

## FINITIONS DISPONIBLES

---



**M0.071**

Gold Satin



**01.014**

finition Matt White



**01.093**

finition Matt Black



**21.018**

finition Chrome



**47.083**

finition Groove Bronze



**58.061**

finition PVD Copper Bronze



**58.063**

finition PVD Gun Metal



**59.064**

finition PVD Brushed Gun Metal



**59.066**

finition PVD Brushed steel



**59.067**

finition PVD Brushed Copper Bronze



**59.097**

finition PVD Brushed Gold



**59.098**

finition PVD Brushed Pale Gold



**61.020**

finish PVD Glossy Gold



**M0.070**

finish Titanium Satin



**M0.072**

finish Copper Satin



**M0.075**

finish Copper Glossy



**M0.077**

finish Carbon Satin