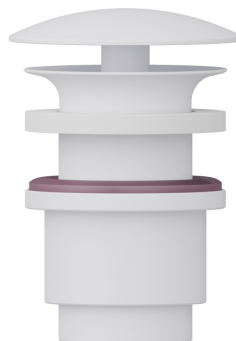


227.01.014

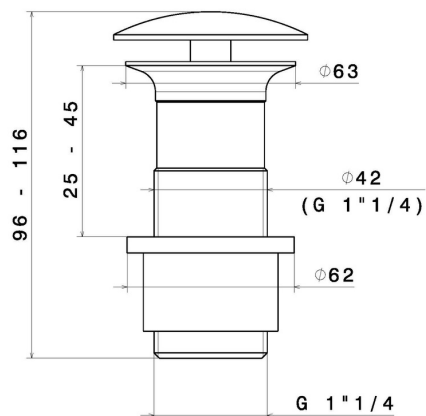
Bonde d'évacuation libre 1"1/4 - finition Matt White



CARACTÉRISTIQUES

Matériau	Laiton
Vidage	Bonde d'évacuation libre

DESSIN TECHNIQUE





227.01.014

Bonde d'évacuation libre 1"1/4 - finition Matt White

FINITIONS DISPONIBLES



01.014

Matt White



01.093

finition Matt Black



21.018

finition Chrome



47.083

finition Groove Bronze



58.061

finition PVD Copper Bronze



58.063

finition PVD Gun Metal



59.064

finition PVD Brushed Gun Metal



59.066

finition PVD Brushed steel



59.067

finition PVD Brushed Copper Bronze



59.097

finition PVD Brushed Gold



59.098

finition PVD Brushed Pale Gold



61.020

finition PVD Glossy Gold



MO.070

finish Titanium Satin



MO.071

finish Gold Satin



MO.072

finish Copper Satin



MO.075

finish Copper Glossy



MO.077

finish Carbon Satin