

## 227.01.093

Bonde d'évacuation libre 1"1/4 - finition Matt Black



### CARACTÉRISTIQUES

---

Matériau

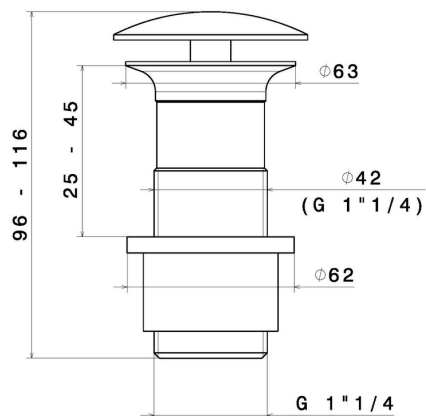
**Laiton**

Vidage

**Bonde d'évacuation libre**

### DESSIN TECHNIQUE

---





**227.01.093**

Bonde d'évacuation libre 1"1/4 - finition Matt Black

## FINITIONS DISPONIBLES

---



**01.093**

Matt Black



**01.014**

finition Matt White



**21.018**

finition Chrome



**47.083**

finition Groove Bronze



**58.061**

finition PVD Copper Bronze



**58.063**

finition PVD Gun Metal



**59.064**

finition PVD Brushed Gun Metal



**59.066**

finition PVD Brushed steel



**59.067**

finition PVD Brushed Copper Bronze



**59.097**

finition PVD Brushed Gold



**59.098**

finition PVD Brushed Pale Gold



**61.020**

finition PVD Glossy Gold

 **MO.070**  
finition Titanium Satin

 **MO.071**  
finition Gold Satin

 **MO.072**  
finition Copper Satin

 **MO.075**  
finition Copper Glossy

 **MO.077**  
finition Carbon Satin