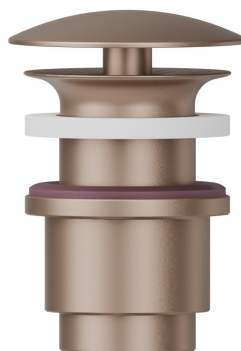


## 227.M0.072

Bonde d'évacuation libre 1"1/4 - finition Copper Satin



### CARACTÉRISTIQUES

---

Matériau

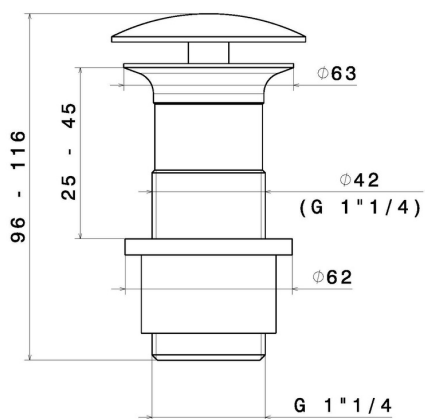
**Laiton**

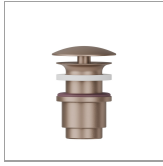
Vidage

**Bonde d'évacuation libre**

### DESSIN TECHNIQUE

---





**227.M0.072**

Bonde d'évacuation libre 1"1/4 - finition Copper Satin

## FINITIONS DISPONIBLES

---



**M0.072**

Copper Satin



**01.014**

finition Matt White



**01.093**

finition Matt Black



**21.018**

finition Chrome



**47.083**

finition Groove Bronze



**58.061**

finition PVD Copper Bronze



**58.063**

finition PVD Gun Metal



**59.064**

finition PVD Brushed Gun Metal



**59.066**

finition PVD Brushed steel



**59.067**

finition PVD Brushed Copper Bronze



**59.097**

finition PVD Brushed Gold




**59.098**

finition PVD Brushed Pale Gold

 **61.020**  
finition PVD Glossy Gold

 **M0.070**  
finition Titanium Satin

 **M0.071**  
finition Gold Satin

 **M0.075**  
finition Copper Glossy

 **M0.077**  
finition Carbon Satin