

229.59.097

Bonde d'évacuation libre 1"1/4 - finition PVD Brushed Gold



CARACTÉRISTIQUES

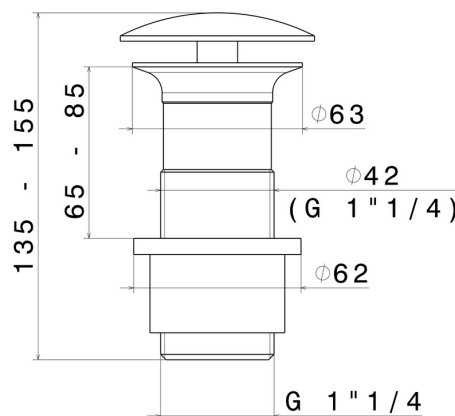
Matériau

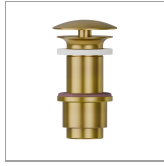
Laiton

Vidage

Bonde d'évacuation libre

DESSIN TECHNIQUE





229.59.097

Bonde d'évacuation libre 1"1/4 - finition PVD Brushed Gold

FINITIONS DISPONIBLES



59.097

PVD Brushed Gold



01.014

finition Matt White



01.093

finition Matt Black



21.018

finition Chrome



47.083

finition Groove Bronze



58.061

finition PVD Copper Bronze



58.063

finition PVD Gun Metal



59.064

finition PVD Brushed Gun Metal



59.066

finition PVD Brushed steel



59.067

finition PVD Brushed Copper Bronze



59.098

finition PVD Brushed Pale Gold



61.020

finition PVD Glossy Gold



MO.070

finition Titanium Satin



MO.071

finition Gold Satin



MO.072

finition Copper Satin



MO.075

finition Copper Glossy



MO.077

finition Carbon Satin