

## 229.61.020

Bonde d'évacuation libre 1"1/4 - finition PVD Glossy Gold



PVD Glossy Gold



### CARACTÉRISTIQUES

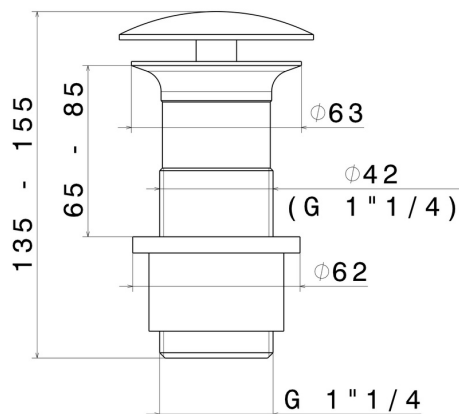
Matériau

Laiton

Vidage

Bonde d'évacuation libre

### DESSIN TECHNIQUE





**229.61.020**

Bonde d'évacuation libre 1"1/4 - finition PVD Glossy Gold

## FINITIONS DISPONIBLES

---



**61.020**

PVD Glossy Gold



**01.014**

finition Matt White



**01.093**

finition Matt Black



**21.018**

finition Chrome



**47.083**

finition Groove Bronze



**58.061**

finition PVD Copper Bronze



**58.063**

finition PVD Gun Metal



**59.064**

finition PVD Brushed Gun Metal



**59.066**

finition PVD Brushed steel



**59.067**

finition PVD Brushed Copper Bronze



**59.097**

finition PVD Brushed Gold



**59.098**

finition PVD Brushed Pale Gold

 **MO.070**  
finition Titanium Satin

 **MO.071**  
finition Gold Satin

 **MO.072**  
finition Copper Satin

 **MO.075**  
finition Copper Glossy

 **MO.077**  
finition Carbon Satin