

2418.43.238

Distributeur de savon - finition Anthracite

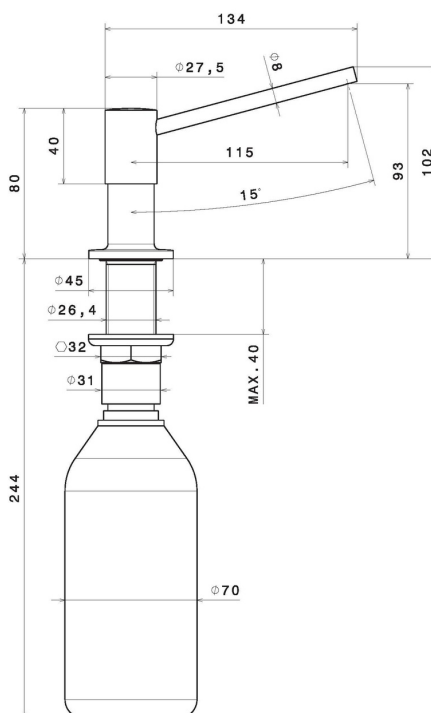


CARACTÉRISTIQUES

Matériau

Laiton

DESSIN TECHNIQUE





2418.43.238

Distributeur de savon - finition Anthracite

FINITIONS DISPONIBLES



43.238

Anthracite



01.014

finition Matt White



01.093

finition Matt Black



21.018

finition Chrome



31.028

finition Brushed Nickel



59.064

finition PVD Brushed Gun Metal



59.066

finition PVD Brushed steel



59.067

finition PVD Brushed Copper Bronze



59.098

finition PVD Brushed Pale Gold



M0.077

finition Carbon Satin



S0.165

finition Soft Eucalypt



S0.166

finition Soft Cortex



SO.167
finition Soft Maple