

2418.01.014

Distributeur de savon - finition Matt White

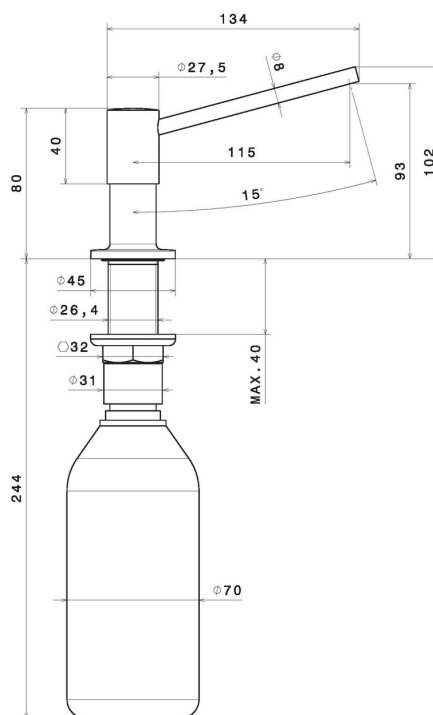


CARACTÉRISTIQUES

Matériau

Laiton

DESSIN TECHNIQUE





2418.01.014

Distributeur de savon - finition Matt White

FINITIONS DISPONIBLES



01.014

Matt White



01.093

finition Matt Black



21.018

finition Chrome



31.028

finition Brushed Nickel



43.238

finition Anthracite



59.064

finition PVD Brushed Gun Metal



59.066

finition PVD Brushed steel



59.067

finition PVD Brushed Copper Bronze



59.098

finition PVD Brushed Pale Gold



M0.077

finition Carbon Satin



S0.165

finition Soft Eucalypt



S0.166

finition Soft Cortex



SO.167

inition Soft Maple