

2418.59.064

Distributeur de savon - finition PVD Brushed Gun Metal



PVD Brushed Gun Metal

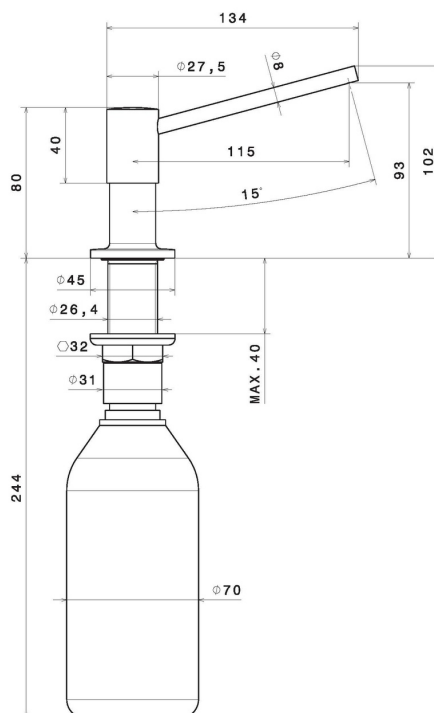


CARACTÉRISTIQUES

Matériau

Laiton

DESSIN TECHNIQUE





2418.59.064

Distributeur de savon - finition PVD Brushed Gun Metal

FINITIONS DISPONIBLES



59.064

PVD Brushed Gun Metal



01.014

finition Matt White



01.093

finition Matt Black



21.018

finition Chrome



31.028

finition Brushed Nickel



43.238

finition Anthracite



59.066

finition PVD Brushed steel



59.067

finition PVD Brushed Copper Bronze



59.098

finition PVD Brushed Pale Gold



M0.077

finition Carbon Satin



S0.165

finition Soft Eucalypt



S0.166

finition Soft Cortex



SO.167

inition Soft Maple