

2418.59.066

Distributeur de savon - finition PVD Brushed steel

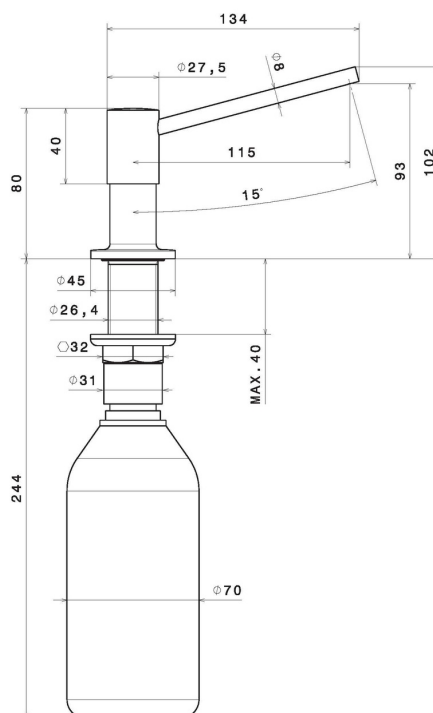


CARACTÉRISTIQUES

Matériau

Laiton

DESSIN TECHNIQUE





2418.59.066

Distributeur de savon - finition PVD Brushed steel

FINITIONS DISPONIBLES



59.066

PVD Brushed steel



01.014

finition Matt White



01.093

finition Matt Black



21.018

finition Chrome



31.028

finition Brushed Nickel



43.238

finition Anthracite



59.064

finition PVD Brushed Gun Metal



59.067

finition PVD Brushed Copper Bronze



59.098

finition PVD Brushed Pale Gold



M0.077

finition Carbon Satin



S0.165

finition Soft Eucalypt



S0.166

finition Soft Cortex



SO.167
finition Soft Maple