

2418.S0.167

Distributeur de savon - finition Soft Maple

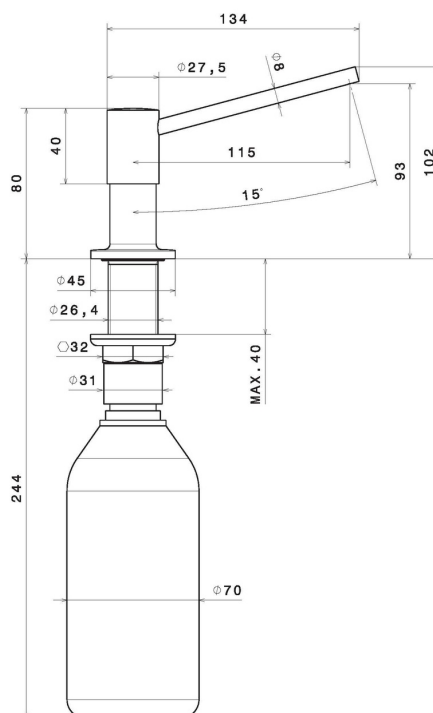


CARACTÉRISTIQUES

Matériau

Laiton

DESSIN TECHNIQUE





2418.S0.167

Distributeur de savon - finition Soft Maple

FINITIONS DISPONIBLES



S0.167

Soft Maple



01.014

finition Matt White



01.093

finition Matt Black



21.018

finition Chrome



31.028

finition Brushed Nickel



43.238

finition Anthracite



59.064

finition PVD Brushed Gun Metal



59.066

finition PVD Brushed steel



59.067

finition PVD Brushed Copper Bronze



59.098

finition PVD Brushed Pale Gold



M0.077

finition Carbon Satin



S0.165

finition Soft Eucalypt



S0.166

inition Soft Cortex