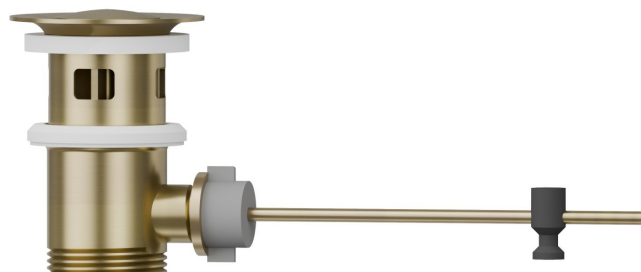


220.59.098

Drain de vidange, et trop-plein, en laiton de 1 "1/4 - finition PVD Brushed Pale Gold



PVD Brushed Pale Gold



CARACTÉRISTIQUES

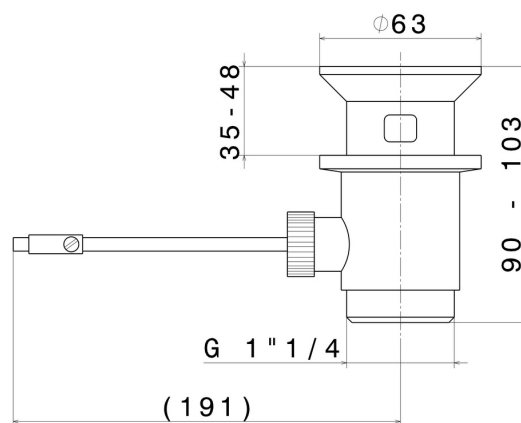
Matériau

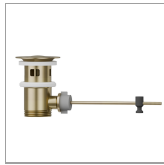
Laiton

Vidage

Avec vidage

DESSIN TECHNIQUE





220.59.098

Drain de vidange, et trop-plein, en laiton de 1 1/4 - finition PVD Brushed Pale Gold

FINITIONS DISPONIBLES



59.098

PVD Brushed Pale Gold



01.014

finition Matt White



01.093

finition Matt Black



21.018

finition Chrome



47.083

finition Groove Bronze



58.061

finition PVD Copper Bronze



58.063

finition PVD Gun Metal



59.064

finition PVD Brushed Gun Metal



59.066

finition PVD Brushed steel



59.097

finition PVD Brushed Gold



61.020

finition PVD Glossy Gold



M7.070

finition Titanium Satin + Chrome



M7.071

finish Gold Satin + Chrome



M7.072

finish Copper Satin + Chrome



M7.075

finish Copper Glossy + Chrome



M7.077

finish Carbon Satin+ Chrome