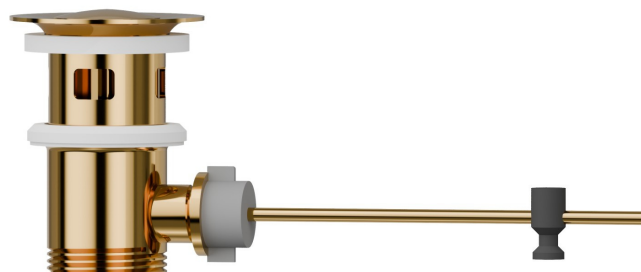


## 220.61.020

Drain de vidange, et trop-plein, en laiton de 1 "1/4 - finition PVD Glossy Gold



### CARACTÉRISTIQUES

---

Matériau

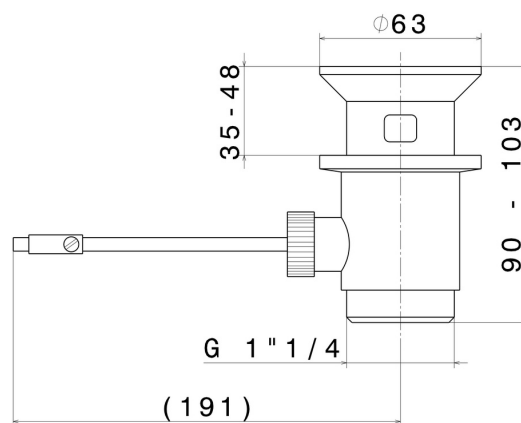
**Laiton**

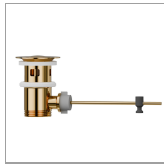
Vidage

**Avec vidage**

### DESSIN TECHNIQUE

---





**220.61.020**

Drain de vidange, et trop-plein, en laiton de 1 "1/4 - finition PVD Glossy Gold

## FINITIONS DISPONIBLES

---



**61.020**

PVD Glossy Gold



**01.014**

finition Matt White



**01.093**

finition Matt Black



**21.018**

finition Chrome



**47.083**

finition Groove Bronze



**58.061**

finition PVD Copper Bronze



**58.063**

finition PVD Gun Metal



**59.064**

finition PVD Brushed Gun Metal



**59.066**

finition PVD Brushed steel



**59.097**

finition PVD Brushed Gold



**59.098**

finition PVD Brushed Pale Gold



**M7.070**

finition Titanium Satin + Chrome



**M7.071**

finish Gold Satin + Chrome



**M7.072**

finish Copper Satin + Chrome



**M7.075**

finish Copper Glossy + Chrome



**M7.077**

finish Carbon Satin+ Chrome