

XT

4289.59.067

Mélangeur sur plan - finition PVD Brushed Copper Bronze



PVD Brushed Copper Bronze



CARACTÉRISTIQUES

Matériau

Laiton

Installation

Bord de baignoire

Type de perçage

Monotrou

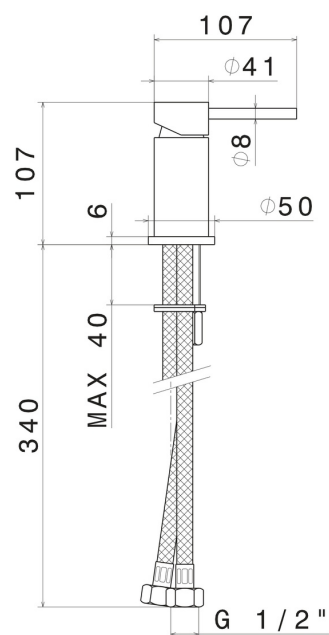
Type de commande

Monocommande

Mitigeur d'eau

Mécanique

DESSIN TECHNIQUE





XT

4289.59.067

Mélangeur sur plan - finition PVD Brushed Copper Bronze

FINITIONS DISPONIBLES



59.067

PVD Brushed Copper Bronze



01.014

finition Matt White



01.093

finition Matt Black



21.018

finition Chrome



47.083

finition Groove Bronze



58.061

finition PVD Copper Bronze



58.063

finition PVD Gun Metal



59.064

finition PVD Brushed Gun Metal



59.066

finition PVD Brushed steel



59.097

finition PVD Brushed Gold




61.020

finition PVD Glossy Gold




M0.070

finition Titanium Satin

 **MO.071**
finition Gold Satin

 **MO.072**
finition Copper Satin

 **MO.075**
finition Copper Glossy

 **MO.077**
finition Carbon Satin