

XT

4219.21.018

Mitigeur bidet - finition Chrome

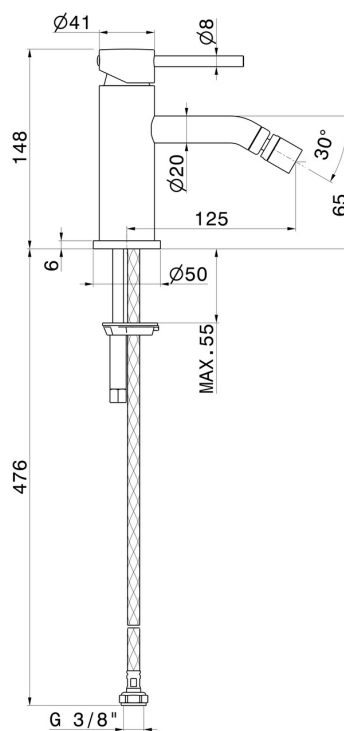
Sans vidage



CARACTÉRISTIQUES

Matériau	Laiton
Technologie	Save Water
Installation	À poser
Type de perçage	Monotrou
Type de commande	Monocommande
Vidage	Sans vidage
Mitigeur d'eau	Mécanique

DESSIN TECHNIQUE





XT

4219.21.018

Mitigeur bidet - finition Chrome

FINITIONS DISPONIBLES



21.018

Chrome



01.014

finition Matt White



01.093

finition Matt Black



47.083

finition Groove Bronze



58.061

finition PVD Copper Bronze



58.063

finition PVD Gun Metal



59.064

finition PVD Brushed Gun Metal



59.067

finition PVD Brushed Copper Bronze



59.097

finition PVD Brushed Gold



59.098

finition PVD Brushed Pale Gold



61.020

finition PVD Glossy Gold



M0.070

finition Titanium Satin



MO.071
finition Gold Satin



MO.072
finition Copper Satin



MO.075
finition Copper Glossy



MO.077
finition Carbon Satin