

XT

4219.47.083

Mitigeur bidet - finition Groove Bronze

Sans vidage



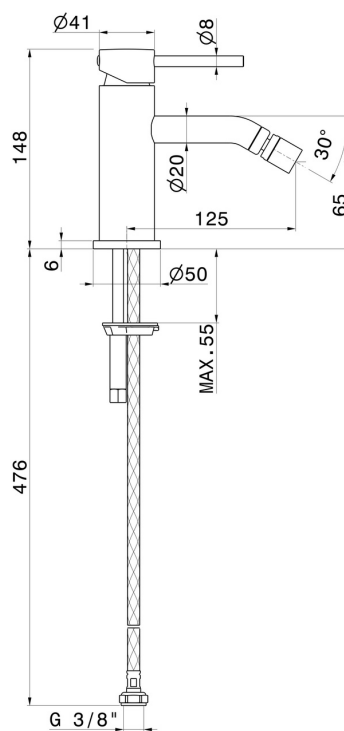
Groove Bronze



CARACTÉRISTIQUES

Matériau	Laiton
Technologie	Save Water
Installation	À poser
Type de perçage	Monotrou
Type de commande	Monocommande
Vidage	Sans vidage
Mitigeur d'eau	Mécanique

DESSIN TECHNIQUE





XT

4219.47.083

Mitigeur bidet - finition Groove Bronze

FINITIONS DISPONIBLES



47.083

Groove Bronze



01.014

finition Matt White



01.093

finition Matt Black



21.018

finition Chrome



58.061

finition PVD Copper Bronze



58.063

finition PVD Gun Metal



59.064

finition PVD Brushed Gun Metal



59.067

finition PVD Brushed Copper Bronze



59.097

finition PVD Brushed Gold



59.098

finition PVD Brushed Pale Gold




61.020


finition PVD Glossy Gold





M0.070

finition Titanium Satin

 **MO.071**
finition Gold Satin

 **MO.072**
finition Copper Satin

 **MO.075**
finition Copper Glossy

 **MO.077**
finition Carbon Satin