

XT

4219.M0.075

Mitigeur bidet - finition Copper Glossy

Sans vidage



SAVE
WATER



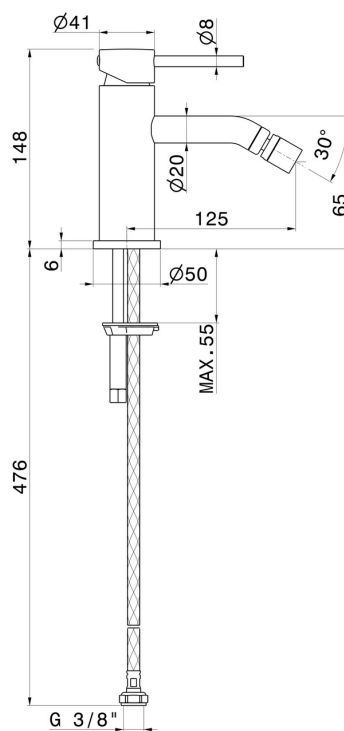
Copper Glossy



CARACTÉRISTIQUES

Matériau	Laiton
Technologie	Save Water
Installation	À poser
Type de perçage	Monotrou
Type de commande	Monocommande
Vidage	Sans vidage
Mitigeur d'eau	Mécanique

DESSIN TECHNIQUE





XT

4219.M0.075

Mitigeur bidet - finition Copper Glossy

FINITIONS DISPONIBLES



M0.075

Copper Glossy



01.014

finition Matt White



01.093

finition Matt Black



21.018

finition Chrome



47.083

finition Groove Bronze



58.061

finition PVD Copper Bronze



58.063

finition PVD Gun Metal



59.064

finition PVD Brushed Gun Metal



59.067

finition PVD Brushed Copper Bronze



59.097

finition PVD Brushed Gold



59.098

finition PVD Brushed Pale Gold




61.020

finition PVD Glossy Gold

 **MO.070**
finition Titanium Satin

 **MO.071**
finition Gold Satin

 **MO.072**
finition Copper Satin

 **MO.077**
finition Carbon Satin