

# X-STEEL 316

**74327X.59.098**

Mitigeur bidet - finition PVD Brushed Pale Gold

Sans vidage



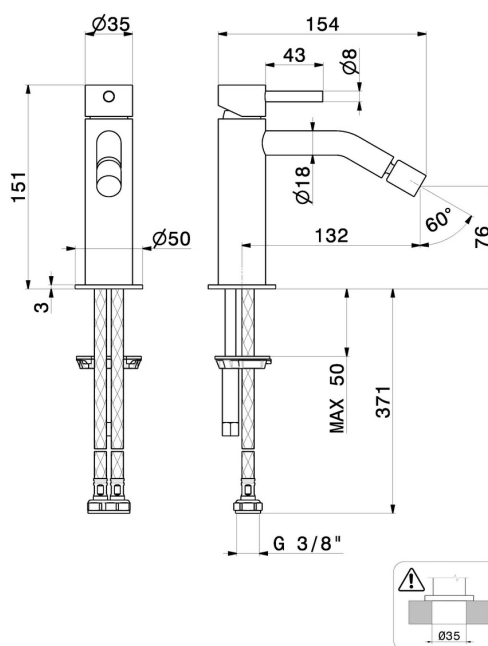
PVD Brushed Pale Gold



## CARACTÉRISTIQUES

Matériau	<b>Acier inox</b>
Technologie	<b>Save Water</b>
Installation	<b>À poser</b>
Type de perçage	<b>Monotrou</b>
Type de commande	<b>Monocommande</b>
Vidage	<b>Sans vidage</b>
Mitigeur d'eau	<b>Mécanique</b>

## DESSIN TECHNIQUE





**X-STEEL 316**


**74327X.59.098**


Mitigeur bidet - finition PVD Brushed Pale Gold

**FINITIONS DISPONIBLES**


---

 **59.098**  
PVD Brushed Pale Gold

 **50.050**  
finition Stainless Steel

 **59.064**  
finition PVD Brushed Gun Metal

 **59.067**  
finition PVD Brushed Copper Bronze

 **59.097**  
finition PVD Brushed Gold