

# IONIKA SUPREME

**72912.59.066**

Mitigeur lavabo - finition PVD Brushed steel

Sans vidage



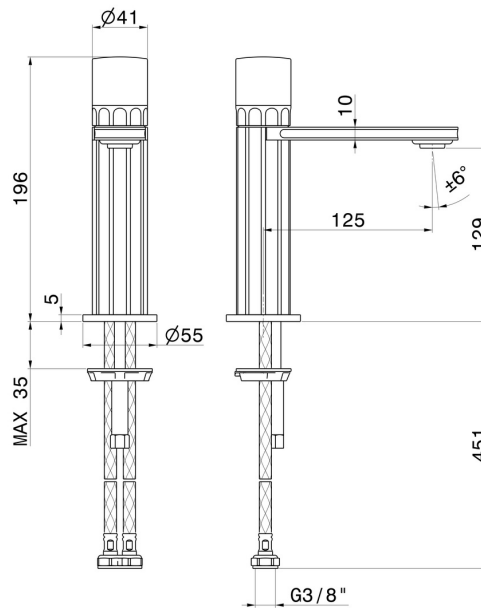
PVD Brushed steel



## CARACTÉRISTIQUES

Matériau	<b>Laiton/Marbre</b>
Technologie	<b>Energy Saving - Low Lead - Save Water</b>
Installation	<b>À poser</b>
Version	<b>Standard</b>
Type de perçage	<b>Monotrou</b>
Type de commande	<b>Monocommande</b>
Vidage	<b>Sans vidage</b>
Mitigeur d'eau	<b>Mécanique</b>

## DESSIN TECHNIQUE





**IONIKA SUPREME**

**72912.59.066**

Mitigeur lavabo - finition PVD Brushed steel

**FINITIONS DISPONIBLES**

---



**59.066**

PVD Brushed steel



**01.014**

finition Matt White



**01.093**

finition Matt Black



**21.018**

finition Chrome



**59.064**

finition PVD Brushed Gun Metal



**59.067**

finition PVD Brushed Copper Bronze



**59.098**

finition PVD Brushed Pale Gold



**61.020**

finition PVD Glossy Gold