

IONIKA SUPREME

72912.59.067

Mitigeur lavabo - finition PVD Brushed Copper Bronze

Sans vidage



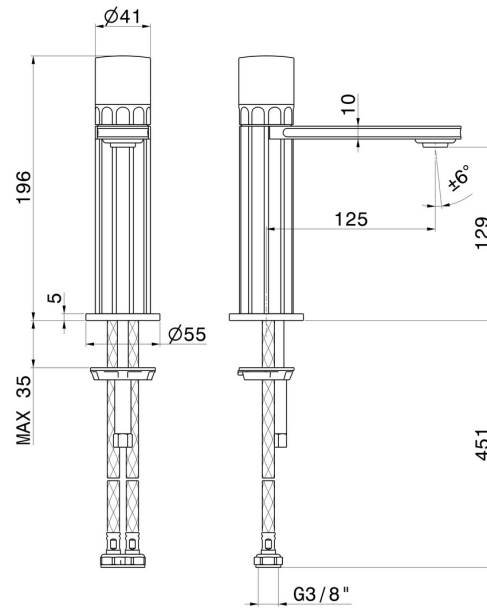
PVD Brushed Copper Bronze



CARACTÉRISTIQUES

Matériau	Laiton/Marbre
Technologie	Energy Saving - Low Lead - Save Water
Installation	À poser
Version	Standard
Type de perçage	Monotrou
Type de commande	Monocommande
Vidage	Sans vidage
Mitigeur d'eau	Mécanique

DESSIN TECHNIQUE





IONIKA SUPREME

72912.59.067

Mitigeur lavabo - finition PVD Brushed Copper Bronze

FINITIONS DISPONIBLES



59.067

PVD Brushed Copper Bronze



01.014

finition Matt White



01.093

finition Matt Black



21.018

finition Chrome



59.064

finition PVD Brushed Gun Metal



59.066

finition PVD Brushed steel



59.098

finition PVD Brushed Pale Gold



61.020

finition PVD Glossy Gold