

X-WAY

73912.59.097

Mitigeur lavabo - finition PVD Brushed Gold

Sans vidage



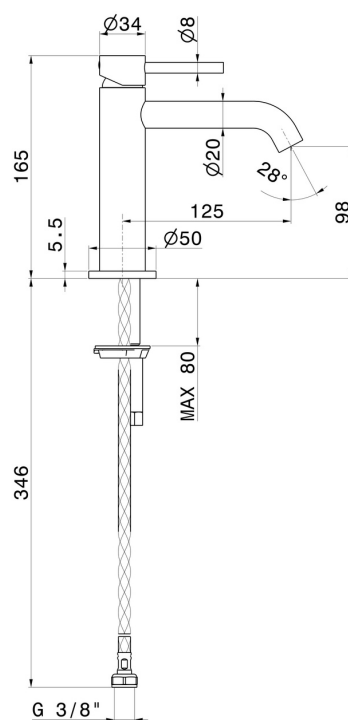
PVD Brushed Gold



CARACTÉRISTIQUES

Matériau	Laiton
Technologie	Save Water
Installation	À poser
Version	Standard
Type de perçage	Monotrou
Type de commande	Monocommande
Vidage	Sans vidage
Mitigeur d'eau	Mécanique

DESSIN TECHNIQUE





X-WAY

73912.59.097

Mitigeur lavabo - finition PVD Brushed Gold

FINITIONS DISPONIBLES



59.097

PVD Brushed Gold



01.014

finition Matt White



01.093

finition Matt Black



21.018

finition Chrome



47.083

finition Groove Bronze



59.064

finition PVD Brushed Gun Metal



59.066

finition PVD Brushed steel



59.067

finition PVD Brushed Copper Bronze



M0.070

finition Titanium Satin



M0.071

finition Gold Satin



M0.072

finition Copper Satin



M0.075

finition Copper Glossy