

STEEL LINE

74212x.59.067

Mitigeur lavabo - finition PVD Brushed Copper Bronze

Sans vidage



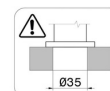
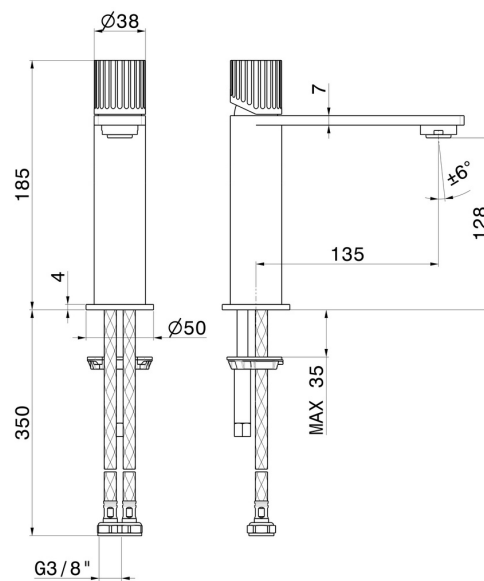
PVD Brushed Copper Bronze



CARACTÉRISTIQUES

| | |
|------------------|---------------------|
| Matériau | Acier inox |
| Technologie | Save Water |
| Installation | À poser |
| Version | Standard |
| Type de perçage | Monotrou |
| Type de commande | Monocommande |
| Vidage | Sans vidage |
| Mitigeur d'eau | Mécanique |

DESSIN TECHNIQUE





STEEL LINE

74212x.59.067

Mitigeur lavabo - finition PVD Brushed Copper Bronze

FINITIONS DISPONIBLES



59.067

PVD Brushed Copper Bronze



50.050

finition Stainless Steel



59.064

finition PVD Brushed Gun Metal



59.098

finition PVD Brushed Pale Gold