

# ACCESSOIRES RONDS

67205.M0.072

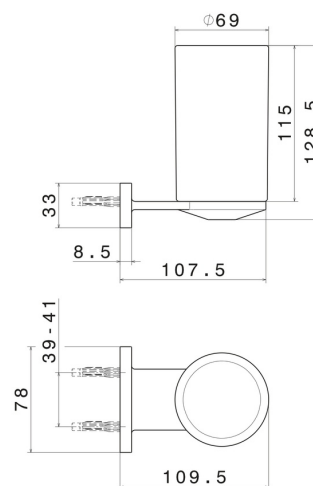
Porte-gobelet mural. Céramique blanche - finition Copper Satin



## CARACTÉRISTIQUES

Matériau	<b>Céramique</b>
Installation	<b>Murale</b>

## DESSIN TECHNIQUE





## ACCESSOIRES RONDS

**67205.M0.072**

Porte-gobelet mural. Céramique blanche - finition Copper Satin

### FINITIONS DISPONIBLES

---



**M0.072**

Copper Satin



**01.014**

finition Matt White



**01.093**

finition Matt Black



**21.018**

finition Chrome



**47.083**

finition Groove Bronze



**58.061**

finition PVD Copper Bronze



**58.063**

finition PVD Gun Metal



**59.064**

finition PVD Brushed Gun Metal



**59.066**

finition PVD Brushed steel



**59.067**

finition PVD Brushed Copper Bronze



**59.097**

finition PVD Brushed Gold



**59.098**

finition PVD Brushed Pale Gold

 **61.020**  
finition PVD Glossy Gold

 **M0.070**  
finition Titanium Satin

 **M0.071**  
finition Gold Satin

 **M0.075**  
finition Copper Glossy

 **M0.077**  
finition Carbon Satin