

## 846.01.014

Support orientable de douche. Ø70 - finition Matt White



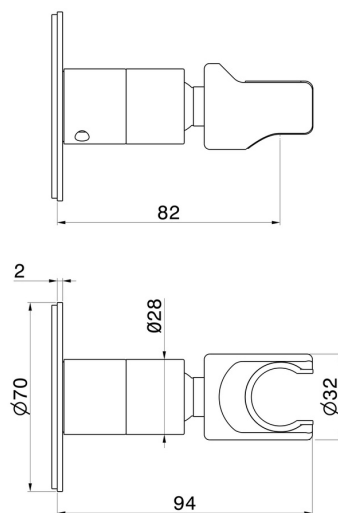
### CARACTÉRISTIQUES

---

Matériau	<b>Laiton</b>
Installation	<b>Murale</b>

### DESSIN TECHNIQUE

---





**846.01.014**

Support orientable de douche. Ø70 - finition Matt White

## FINITIONS DISPONIBLES

---



**01.014**

Matt White



**01.093**

finition Matt Black



**21.018**

finition Chrome



**58.061**

finition PVD Copper Bronze



**58.063**

finition PVD Gun Metal



**59.064**

finition PVD Brushed Gun Metal



**59.067**

finition PVD Brushed Copper Bronze



**59.097**

finition PVD Brushed Gold



**61.020**

finition PVD Glossy Gold