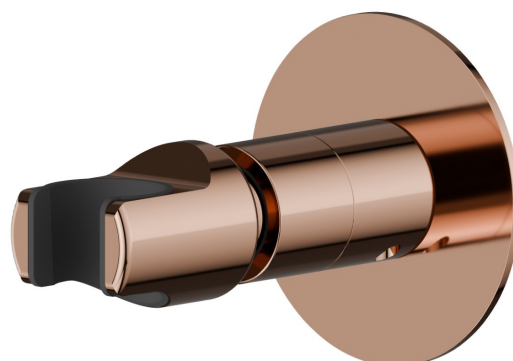


846.58.061

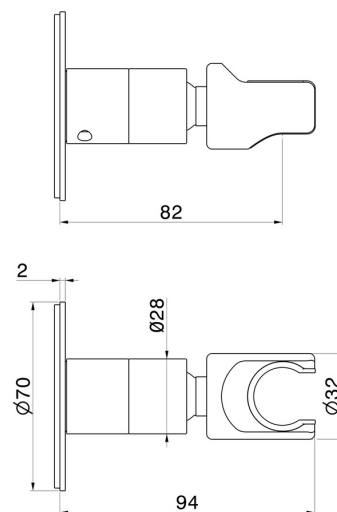
Support orientable de douche, Ø70 - finition PVD Copper Bronze

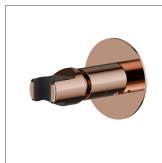


CARACTÉRISTIQUES

Matériau	Laiton
Installation	Murale

DESSIN TECHNIQUE





846.58.061

Support orientable de douche. Ø70 - finition PVD Copper Bronze

FINITIONS DISPONIBLES



58.061

PVD Copper Bronze



01.014

finition Matt White



01.093

finition Matt Black



21.018

finition Chrome



58.063

finition PVD Gun Metal



59.064

finition PVD Brushed Gun Metal



59.067

finition PVD Brushed Copper Bronze



59.097

finition PVD Brushed Gold



61.020

finition PVD Glossy Gold