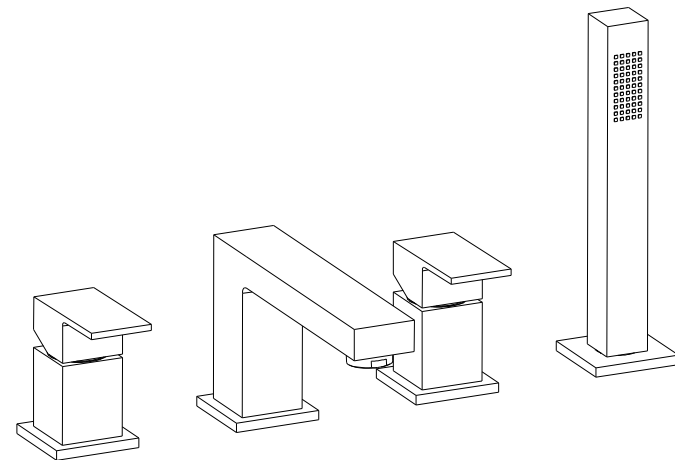


ergo-q

Instruzioni di montaggio
Instrucciones para el montaje
Instructions for the assemblage
Instructions de montage
Montageanweisungen

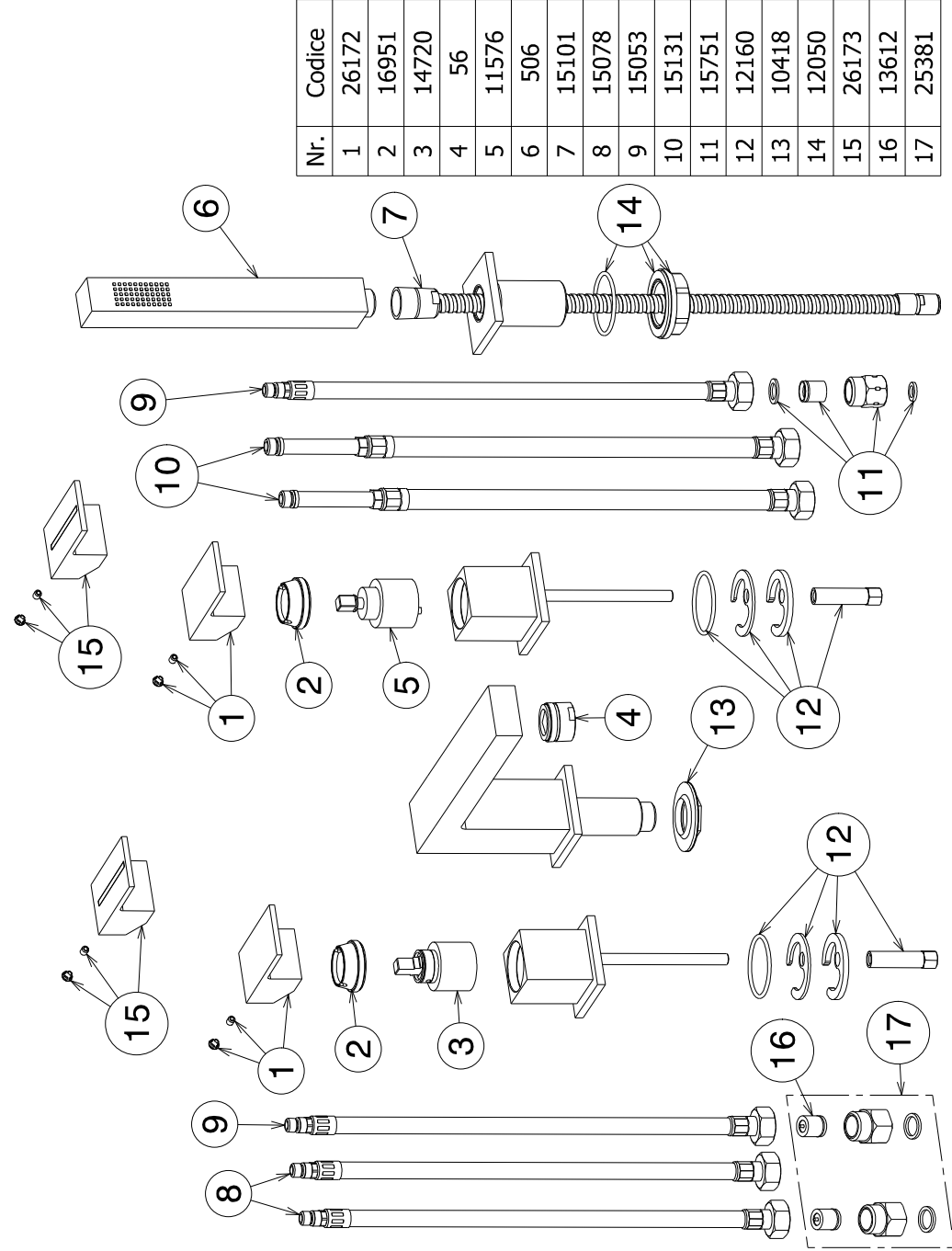
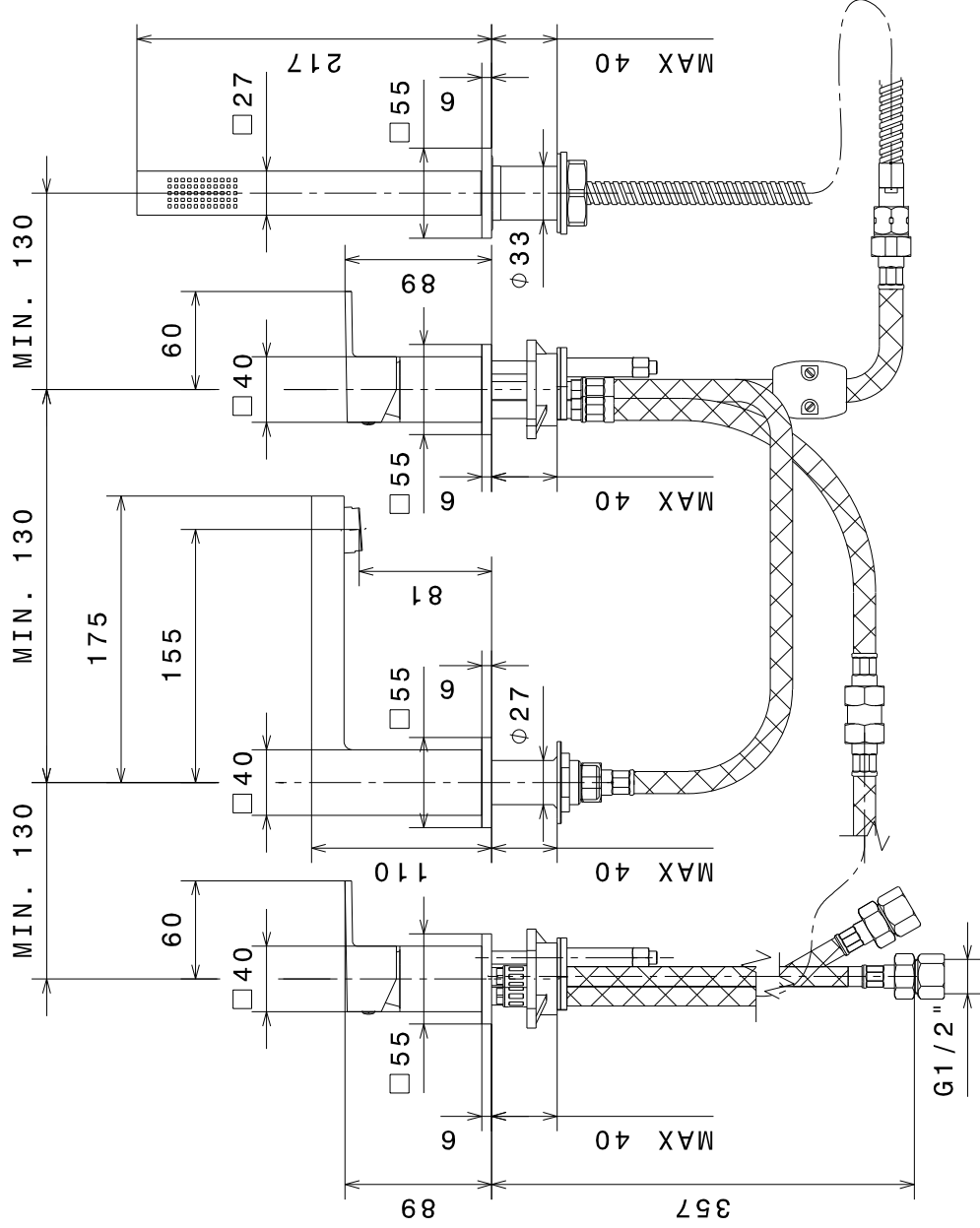


66482C

NEWFORM S.p.A.

via Marconi, 25/A – Frazione Vintebbio – 13037 Serravalle Sesia – (VC) Italy
Tel. +39/0163452011 (r.a.) Fax Amministrativo +39/0163458983 – Fax Commerciale +39/0163459745
www.newform.it newform@newform.it

IS00304/0



Nr.	Codice
1	26172
2	16951
3	14720
4	56
5	11576
6	506
7	15101
8	15078
9	15053
10	15131
11	15751
12	12160
13	10418
14	12050
15	26173
16	13612
17	25381